

Technical data sheet

Wall and support bracket MWAG 12

Item number: 6424608



Light-duty wall and support bracket with edged design for screwless mesh cable tray fastening.
Including truss-head bolt M10 x 25 for fastening to U supports.
Including truss-head bolt M10 x 25 for fastening to U supports.



- St** Steel
- FS** Strip galvanized

Master data

Item number	6424608
Type	MWAG 12 21 FS
Description 1	Wall and support bracket
Description 2	for mesh cable tray
Manufacturer	OBO
Dimension	B210mm
Material	Steel
Surface	Strip galvanized
Surface standard	DIN EN 10346
Smallest sales unit	1
Unit of quantity	Piece
Weight	24.4 kg
Weight unit	kg/100 pc.

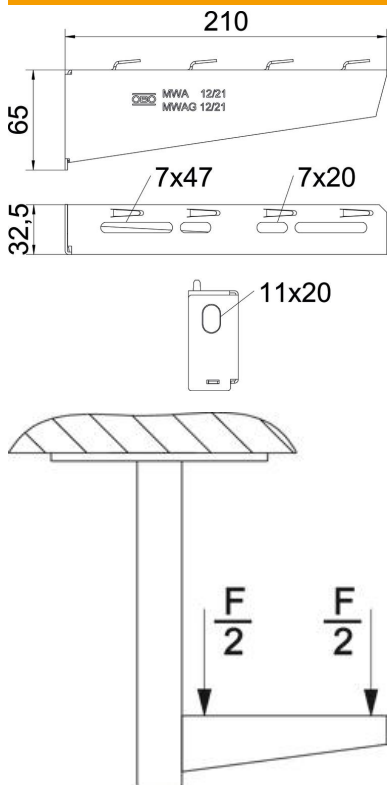
Technical data sheet

Wall and support bracket MWAG 12

Item number: 6424608



Dimensions



Length	32.5 mm
Width	210 mm
Height	65 mm
Dimension A	32.5 mm
Dimension B	210 mm
Dimension H	65 mm

Technical data

Version for	Wall and support bracket
F in kN	1.2 kN
Maintain electrical functions	no
for width max.	200 mm
for width min.	200
Hole diameter	11 mm
Rustproof steel, pickled	no
Angle range, max.	90 mm
Angle range, min.	90 mm

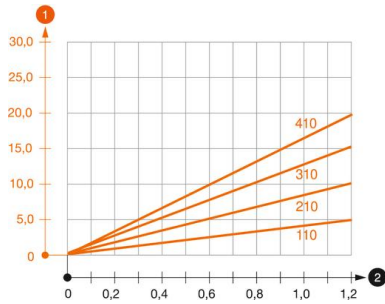
Technical data sheet

Wall and support bracket MWAG 12

Item number: 6424608



Loads



Load diagram, bracket type MWAG 12

- 1** Bending of the bracket tip at permitted bracket load
- 2** Permitted bracket load in kN without man load
- Load curve with bracket lengths in mm

Belastungskennwerte Dübel für Wand- und Stielausleger MWAG 12

Wall fastening				
Anchor type	Max. load [kN]			
	Bracket width [mm]			
1-Feb	110	210	310	410
	1-Feb	1-Feb	1-Feb	1-Feb

Die angegebenen Werte basieren auf ungerissenen Beton der Festigkeitsklasse C20/25. Die Einbaubedingungen der ETA-Zulassung (Dübel) sind zu beachten!

Belastungswerte für MWAG 12 am Hängestiel

Support	100	200	300	400
1-Feb.	1-Feb.	1-Feb.	1-Feb.	1-Feb.
1-Feb.	1-Feb.	1-Feb.	1-Feb.	1-Feb.
1-Feb.	1-Feb.	1-Feb.	1-Feb.	1-Feb.
1-Feb.	1-Feb.	1-Feb.	1-Feb.	1-Feb.

